



pallet//track

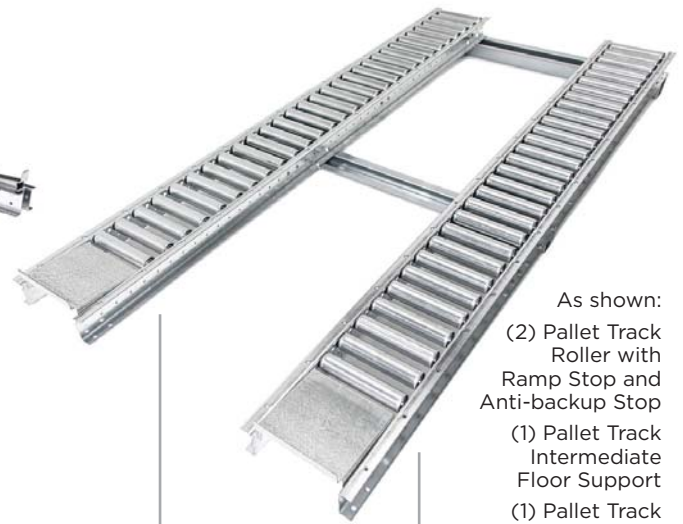


DYNAMIC
STORAGE
FOR PALLET
POSITIONS

Pick Smarter. Pick Better. Pick UNEX.



As shown:
 (2) Pallet Track Staggered Wheel with Ramp Stop and Anti-backup Stop
 (1) Pallet Track Intermediate Floor Support
 (1) Pallet Track Rear Floor Support



As shown:
 (2) Pallet Track Roller with Ramp Stop and Anti-backup Stop
 (1) Pallet Track Intermediate Floor Support
 (1) Pallet Track Rear Floor Support

Pallet Track Features & Benefits

- Creates a “First-In First-Out” (FIFO) storage system. Product is loaded from the rear and removed from the front.
- Can be floor mounted or supported by pallet rack beams
- Available in lengths from 48” to 144” in 1” increments
- Increases storage density
- Increases efficiency
- Reduces fork truck operations
- Reduces labor costs
- Reduces damage
- Green — no energy consumption

Wheel Track Features & Benefits

- Staggered wheel type flow rail is commonly used to handle “wrong way” GMA style wooden pallets (with bottom boards perpendicular to flow)
- Rails can be used in 2 or 3 track configurations
- 2-deep pallet storage lanes come complete with ramp stops at discharge end to allow pallet to come to a controlled stop
- Available options include anti-backup stops and floor-mount supports
- Available in custom track lengths

Roller Track Features & Benefits

- Roller pallet track works well when handling:
 - Single face pallets (no bottom boards, with 2 or 3 stringers)
 - Euro style pallets with bottom boards parallel to flow
 - Plastic pallets with feet
 - Heavier loads because they provide high load capacity per roller and greater contact area
- Track configuration of 2 or 3 tracks per pallet position
- 2-deep pallet storage lanes come complete with full-width ramp stops at discharge end to allow pallet to come to a controlled stop
- Available options include floor supports, special end treatments for attaching to rack beams
- Available in custom track lengths

Specifications



PART NUMBER EXAMPLE - PALLET TRACK

PT	MRS or SW	1.5 or 3	x96
SERIES	ROLLER TYPE	ROLLER CENTERS	TRACK LENGTH

Wheel Rail Specifications

- Standard 2-1/2" x 1" x 12 gauge galvanized channel
- Frame capacity of 210 lbs per ft when supported on 48" centers
- 1-1/2" staggered wheel centers provide maximum support and minimize indentation in wood pallets
- 1.9" diameter steel wheels on 1/4" diameter axle are rated at 100 lbs capacity each

8 FOOT PALLET TRACK WHEEL

CONFIGURATION	CAPACITY
2 Rail	3360 lbs
3 Rail	5040 lbs

Capacity shown based on 96" long rail.
210 lbs per ft, per rail at 48" unsupported

Roller Specifications

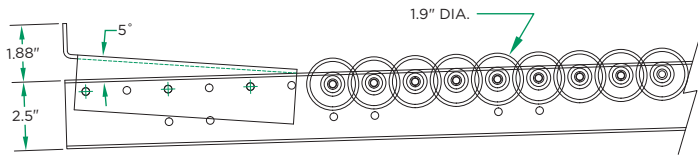
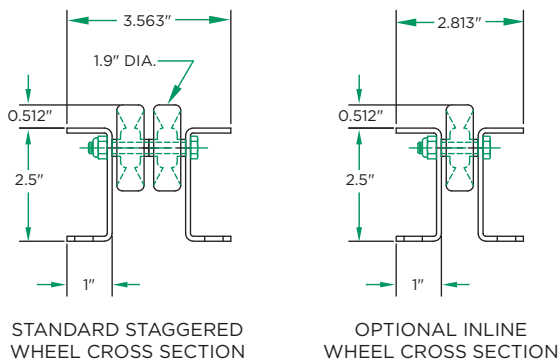
- Standard 3-1/2" x 1-1/4" x 12 gauge galvanized steel channel
- Frame capacity of 500 lbs per ft when supported on 48" centers
- Optional roller centers from 2" and up, depending on load
- 1.9" x 16 gauge galvanized steel roller with 7/16" hex axle is rated at 170 lbs capacity each

8 FOOT PALLET TRACK ROLLER

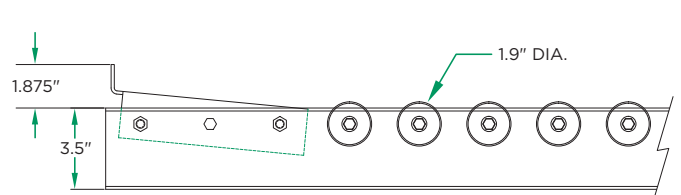
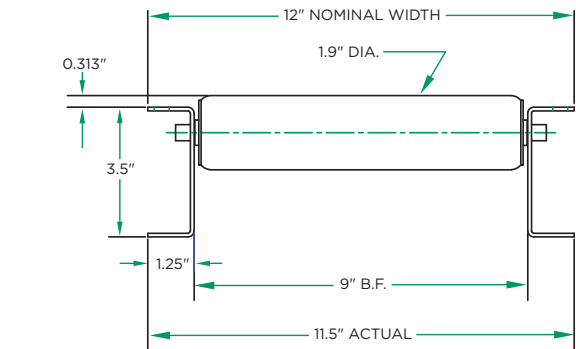
CONFIGURATION	CAPACITY
2 Track	8000 lbs
3 Track	12000 lbs

Capacity shown based on 96" long rail.
500 lbs per ft, per rail at 48" unsupported

SW FLOW RAIL



MRS FLOW TRACK





Floor Mount

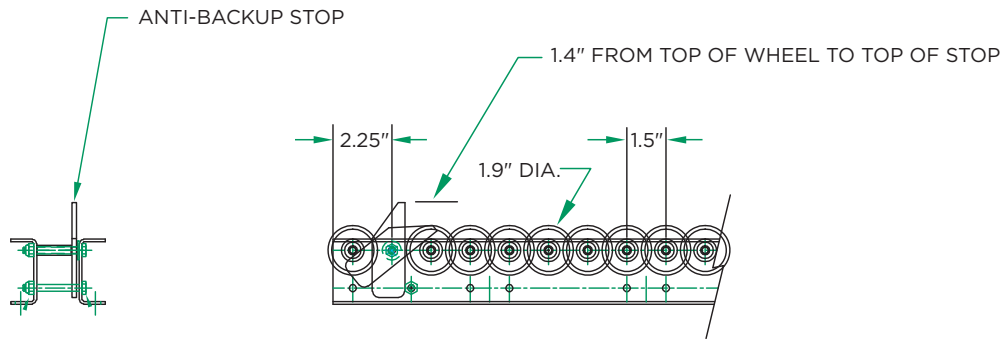
Adds pitch for floor mounted applications

Anti-backup Stop

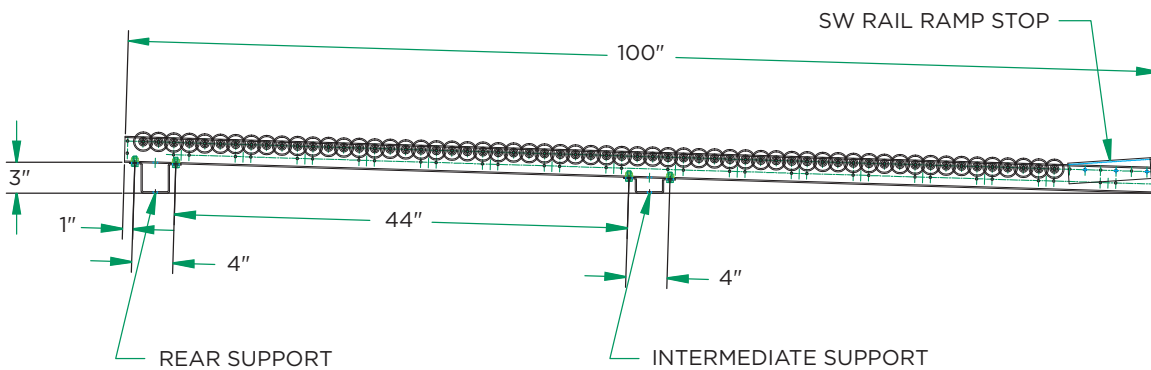
For wheel rail - Prevents pallets from falling off back



ANTI-BACKUP STOP FOR WHEEL RAIL



FLOOR MOUNT



Approximately 3/8" per foot pitch

Pick **Smarter.**
Pick **Better.**
Pick **UNEX.**



UNEX MANUFACTURING, INC.
691 New Hampshire Avenue, Lakewood, NJ 08701

800.695.SPAN (7726)

732-928-2800 • fax: 732-928-2828 • e-mail: span@unex.com

unex.com

