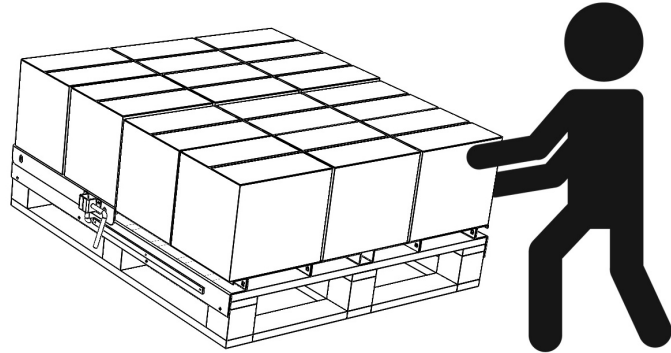


*** THIS PRODUCT MUST BE IN THE LOCKED POSITION BEFORE TRANSPORTING. ***

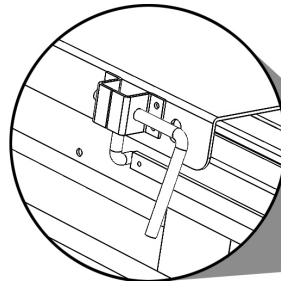
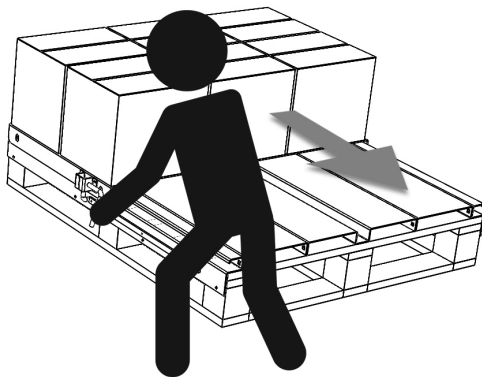
1

Load product on Pick Plank



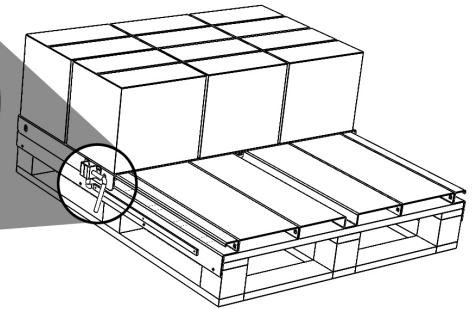
2

Unload product until half empty



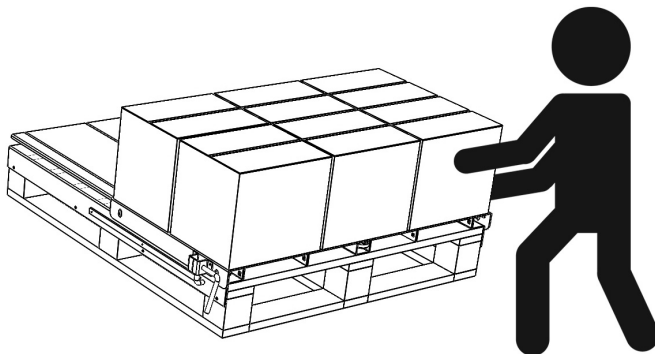
3

Pivot handle lock and pull forward



4

Pick remaining product



PATENT PENDING

CAPACITY: 1,500 LBS.

UNEX

Pick **Smarter.** Pick **Better.** Pick **UNEX.**

FRONT